

ABS & Steel Case, Dry



100 SERIES

- General purpose non-fillable dry gauge
- Vacuum and compound ranges through 0 psi to 15,000 psi
- 1-1/2", 2", 2-1/2" and 4" gauge sizes
- Standard impact-resistant ABS & Steel case
- Copper alloy and Brass wetted parts

OPERATING SPECIFICATIONS

1. Working Pressure Limitations

a. Dynamic Pressure

The working pressure should be limited to 60% of the dial range.

b. Static Pressure

The working pressure, where no sharp fluctuations occur, should be limited to 90% of the dial range

APPLICATIONS

- Hydraulics & pneumatics
- Medical
- Pumps & compressors
- Refrigeration controls
- Utilities
- Water management

	SERIES	SPECIFICATIONS
Pressure ranges	100 Series (all)	Vacuum and compound ranges through 0 psi to 15,000 psi
Accuracy	15-100, 15-110, 15-120, 20-100, 20-110, 20-120, 20-148, 25-100, 25-110, 25-120	±2.5% full scale
	40-100	±1.6% full scale
Temperature ranges*	100 Series (all)	Media -4 °F to 140 °F (-20 °C to 60 °C) Ambient -40 °F to 140 °F (-40 °C to 60 °C)
Measuring element	100 Series (all)	Copper alloy Bourdon tube
Connection	15-100, 15-110, 15-120, 20-100, 20-110	1/8" NPT, Brass
	20-148	1/8" NPT/10-32 Female, Brass
	20-100, 20-110, 20-120, 25-100, 25-110, 25-120, 40-100	1/4" NPT Brass SAE J1926-3:7/16-20
Case	15-100, 15-110, 20-100, 20-110, 20-148, 25-100, 40-100	ABS (Acryl Nitril Butadien Styrol)
	15-120, 20-120, 25-120	Black painted Steel with chrome triangular bezel and U-clamp
Bezel	15-110, 20-110, 25-110	Built-in bezel, molded as an integral part of the case for ease of panel mounting.
	15-120, 20-120, 25-120	Chrome-plated Steel triangular bezel
Lens	100 Series (all)	Acrylic
Pointer	100 Series (all)	Molded plastic
Dial	100 Series (all)	White background with black primary scale & red secondary scale. UV resistant.
Movement	100 Series (all)	Brass & nylon, or all-Brass with highly polished bearing surfaces

* For every 18 °F (10 °C) shift in temperature from which the gauge is calibrated, the user can experience up to ±0.4% additional error.

For details on accuracy/standard dial configuration and dial layouts, see pages 56-61.



WARNING: This product can expose you to chemicals including Lead, which is known to the State of California to cause cancer and birth defects or other reproductive harm. For more information go to www.P65Warnings.ca.gov

ORDERING INFORMATION									
GAUGE SIZES	15	1-1/2"	20	2"	25	2-1/2"	40	4"	
CASE TYPES	100	ABS, bottom connection		120	Steel case panel mount		148	Square ABS, panel mount (2" only)	
PRESSURE RANGES	30vac	-30 inHg vacuum to 0 psi		30/300	-30 inHg to 0 to 300 psi		200	0 psi to 200 psi	
	30/15	-30 inHg to 0 to 15 psi		15	0 psi to 15 psi		300	0 psi to 300 psi	
	30/30	-30 inHg to 0 to 30 psi		30	0 psi to 30 psi		400	0 psi to 400 psi	
	30/60	-30 inHg to 0 to 60 psi		60	0 psi to 60 psi		600	0 psi to 600 psi	
	30/100	-30 inHg to 0 to 100 psi		100	0 psi to 100 psi		1000	0 psi to 1,000 psi	
	30/160	-30 inHg to 0 to 160 psi		160	0 psi to 160 psi		1500	0 psi to 1,500 psi	
	30/200	-30 inHg to 0 to 200 psi					15000	0 psi to 15,000 psi	
		Other ranges available on request							
SCALE OPTIONS***	psi	psi single scale		psi/kPa	psi/kPa dual scale		psi/kg/cm²	psi/kg/cm ² dual scale	
							psi/bar	psi/bar dual scale	
CONNECTION SIZES	1/8	1/8" NPT		SST	SAE J1926-3:7/16-20 Adjustable		1/4	1/4" NPT	
OPTIONS	PMC	Panel Mount Clamp		SSC	Stainless Steel Case		LL	Polycarbonate Lens	
	SSB	Polished Stainless Steel Bezel		CRC	Chrome Case		GL	Glass Lens*	
	BLRF	Black Rear Flange		FAC	Flat Sided ABS Case		SG	Safety Glass Lens*	
	BLFF	Black Front Flange – ABS Case		BCR	Black Cover Ring**		HL	Homalite Lens*	
	CFF	Chrome Front Flange – ABS Case		SSCR	Stainless Steel Cover Ring**		SP	Red Set Pointer**	
	SBFF	Black Front Flange – Steel Case		CCR	Chrome Cover Ring**		MIP	Maximum Indicating Pointer	
	SCFF	Chrome Front Flange – Steel Case		PCCR	Polished Chrome Cover Ring**		SDM	Silicone Dampened Movement	
	BSC	Black Steel Case		CAR	Chrome Adapter Ring*		LM	Laser Marking	

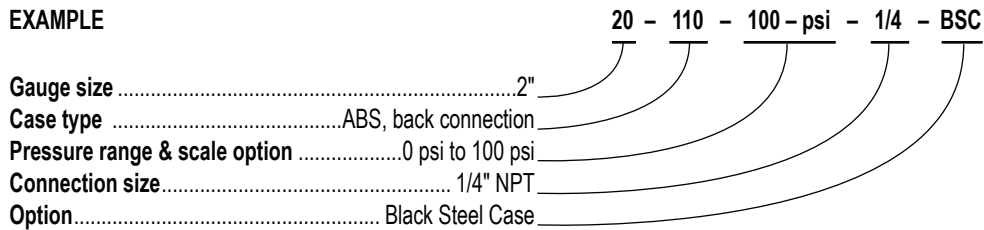
Please consult your local NOSHOK Distributor or NOSHOK, Inc. for availability and delivery information.

NOTES: Refer to 100 Series options & accessories chart on page 50 for availability by part number.

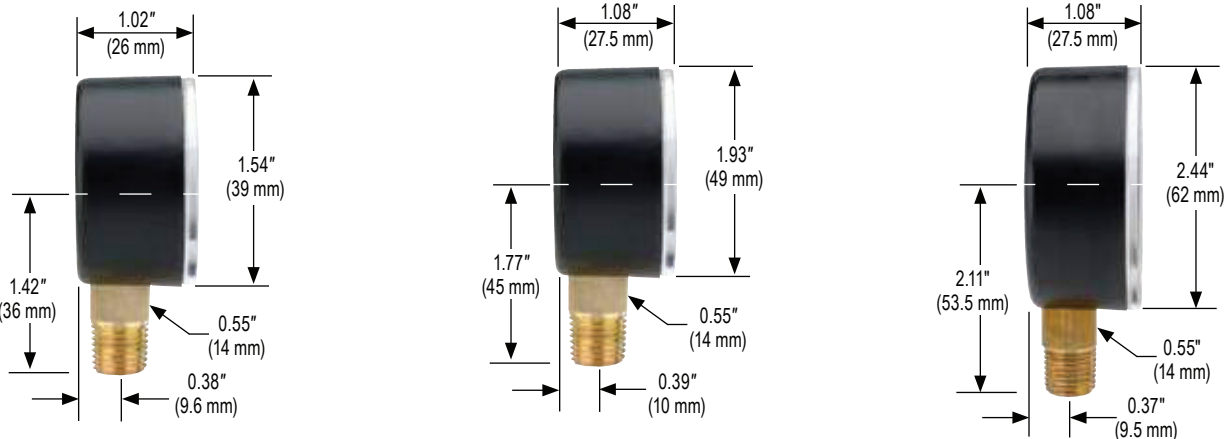
Cleaning for Oxygen Service (O2) is available only for dry or HL filled gauges

- * A Steel, Stainless or chrome case & cover ring must be additionally ordered when lenses other than acrylic are utilized on all 100 Series.
- ** Only 110 Series require a Steel, Stainless or chrome case & cover ring to be additionally ordered when utilizing a set pointer or cover ring.
- Please consult factory when a set pointer is to be utilized on a 120 Series.
- *** Other scales available on request

EXAMPLE

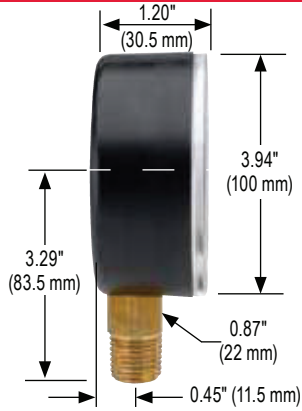


15-100
20-100
25-100

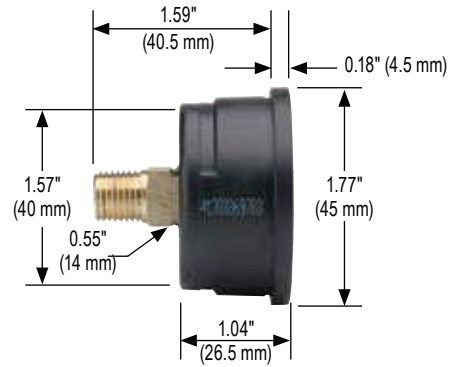


Dimensions

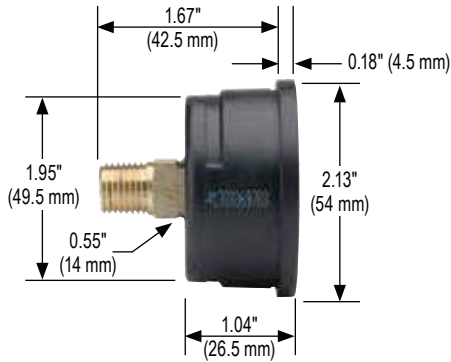
40-100



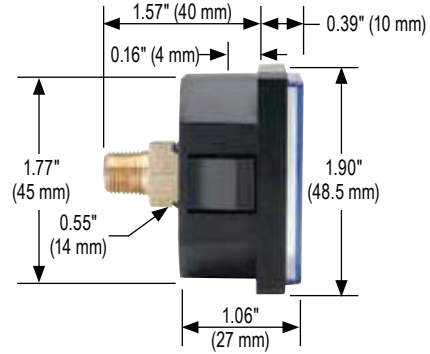
15-110



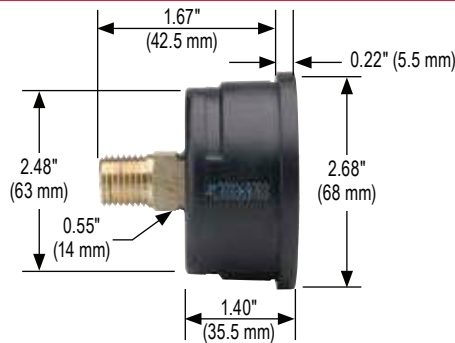
20-110



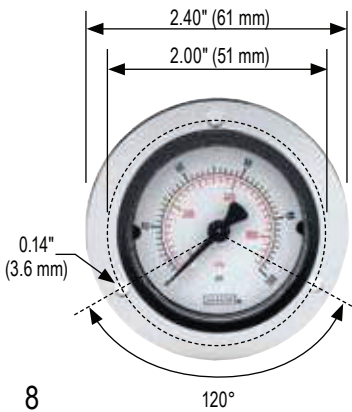
20-148



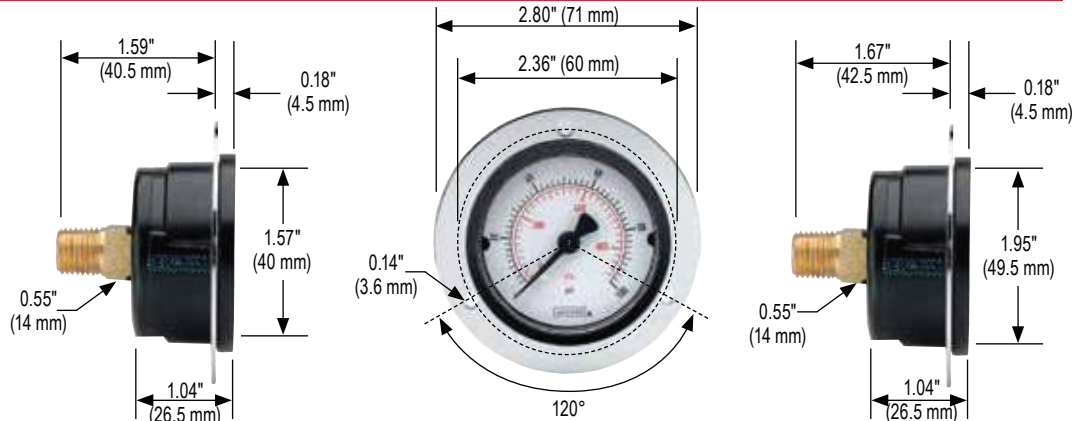
25-110



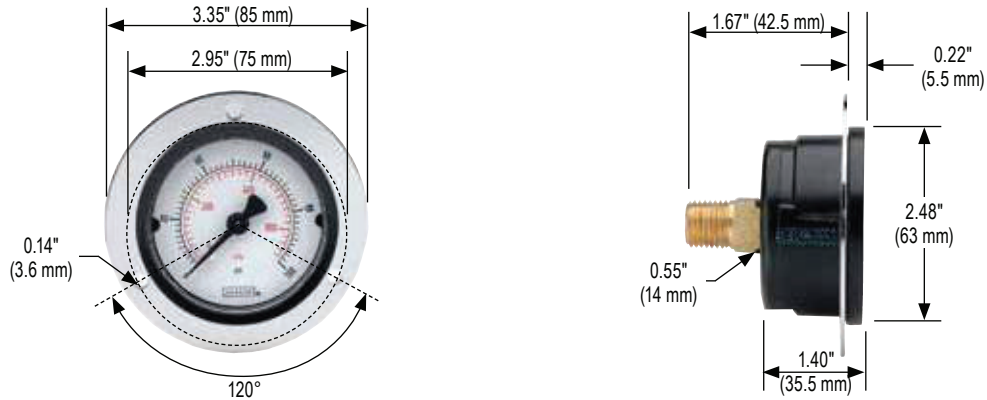
15-110 Front Flange



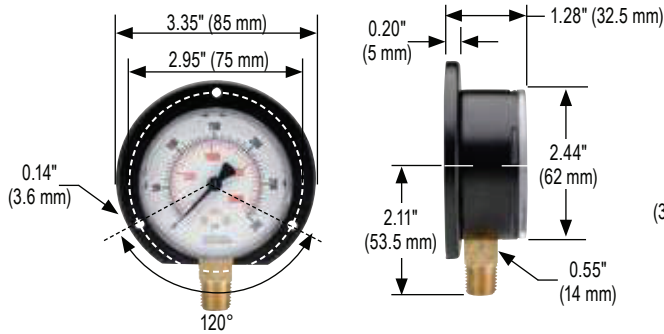
20-110 Front Flange



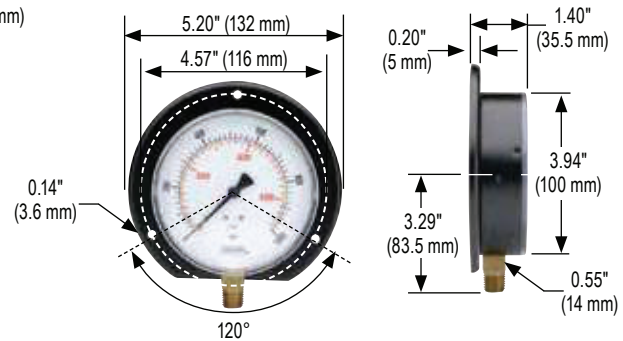
25-110 Front Flange



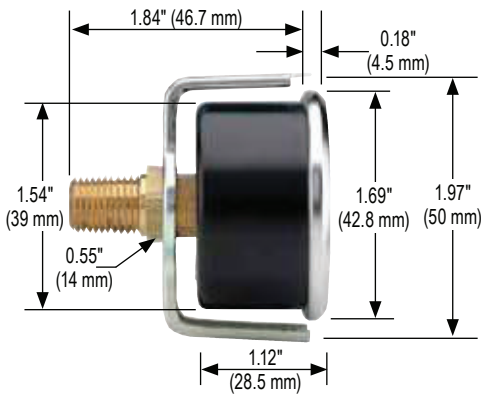
25-100 Rear Flange



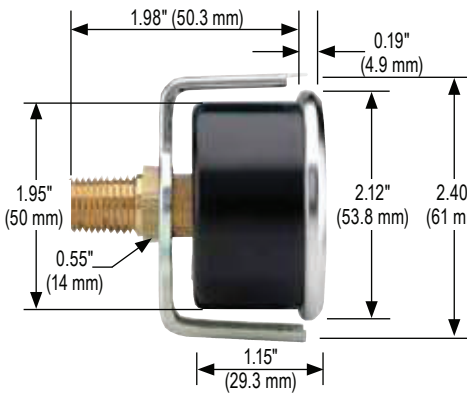
40-100 Rear Flange



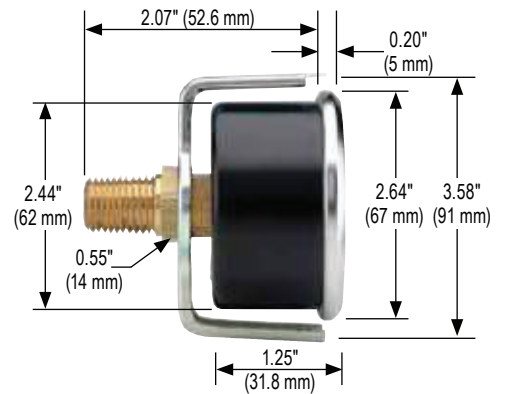
15-120 Chrome Bezel With U-Clamp



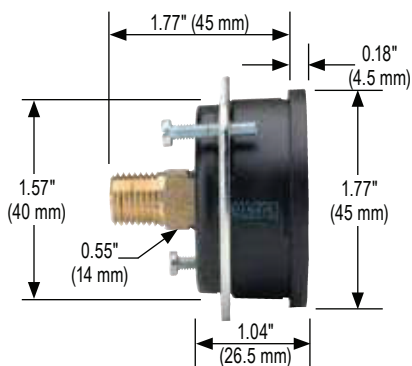
20-120 Chrome Bezel With U-Clamp



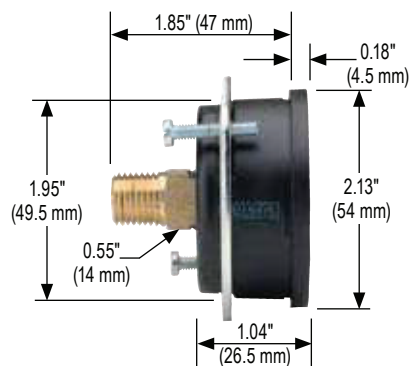
25-120 Chrome Bezel With U-Clamp



15-110 Panel Mount Clamp



20-110 Panel Mount Clamp



25-110 Panel Mount Clamp

